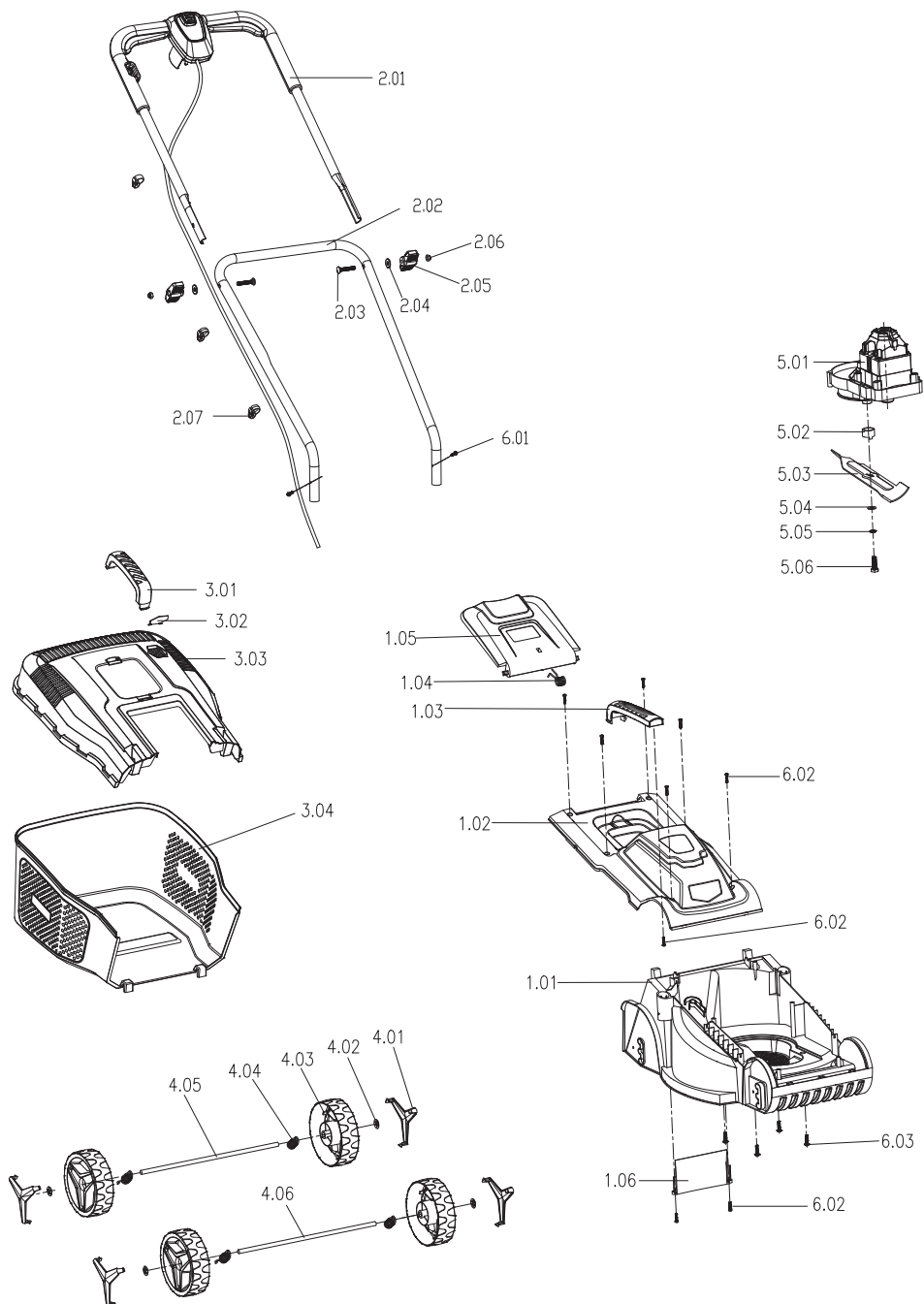


# EXPLODED VIEW



**SPARE PARTS LIST**

Number	Part Name	Description	Unit	Quantity
1.01	bottom shell		pcs	1
1.02	upper cover		pcs	1
1.03	transportation handle		pcs	1
1.04	spring	65Mn	pcs	1
1.05	back cover	PP	pcs	1
1.06	deflector plate	PP	pcs	1
2.01	switch		pcs	1
2.02	lower handle bar		pcs	1
2.03	bolt	rectangular neck, M6x45	pcs	2
2.04	flat wahser	φ6xφ18x1.2	pcs	2
2.05	lock button		pcs	2
2.06	Nut	M6, anti-loosen, inside of lock button	pcs	2
2.07	cord clip		pcs	3
3.01	handle	for grass catcher	pcs	1
3.02	baffle plate		pcs	1
3.03	cover of grass catcher		pcs	1
3.04	grass catcher bag		pcs	1
4.01	wheel cover	for wheel φ130mm	pcs	4
4.02	washer	inner lock tooth	pcs	4
4.03	wheel	φ130mm	pcs	4
4.04	spring	steel	pcs	4
4.05	shaft for back wheel	steel	pcs	1
4.06	shaft for front wheel	steel	pcs	1
5.01	motor		pcs	1
5.02	orientation jacket		pcs	1
5.03	blade		pcs	1
5.04	flat wahser	φ8xφ16x1	pcs	1
5.05	spring washer	φ8	pcs	1
5.06	bolt	outer hex, M8x1.25x30	pcs	1
6.01	screw	ST4x16, sharp end	pcs	2
6.02	Screw	ST4x16, flat end	pcs	9
6.03	screw	ST5x18, flange	pcs	4